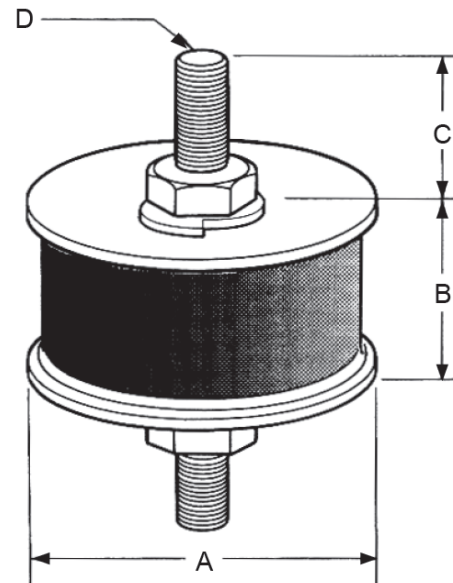


PTM-G • VIBRATION ISOLATING RUBBER MOUNT



Model: PTM-G

TOZEN Model PTM-G vibration isolator is one-piece moulded neoprene with two cast-in load transfer steel plates incorporate with bolt, spring washer and lock nut at the top and at the bottom load surface for attachment to support equipment. The synthetic rubber compound is oil resistant and has been designed to operate within the strain limits of the isolator to provide the maximum isolation and longest expectancy. Model PTM-G is recommended for the isolation of vibration produced by small pumps, vent sets, low pressure packaged air handling units, etc., and usually selected when first cost must be minimized.

PTM-G TYPE RUBBER MOUNT

Unit: mm

Model	Old Model	Rated Capacity (Kgs)	Static Spring Rate (Kgf/mm)	Maximum Static Deflection	(A)	(B)	(C)	(D)
PTM-01	PTM-G-20	10~25	17	2	20	15	18	M6
PTM-02	PTM-G-35	20~40	17	2	25	18	18	M6
PTM-04	PTM-G-70	30~75	18	4	35	26	23	M8
PTM-06	PTM-G-120	60~110	21	5	45	34	23	M8
PTM-08	PTM-G-175	80~175	30	6	55	40	32	M10
PTM-09	PTM-G-335	140~320	66	5	65	34	37	M12
PTM-10	PTM-G-435	260~400	62	6	75	42	37	M12
PTM-11	PTM-G-600	320~550	70	8	90	50	37	M12
PTM-12	PTM-G-700	450~950	86	8	110	66	46	M16
PTM-13	PTM-G-1500	800~2000	186	8	150	70	51	M20

Note:

- Specifications are subject to change without prior notice.